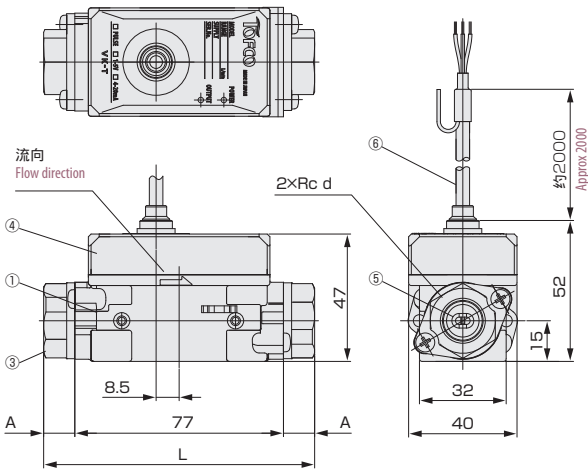


规格 Specifications

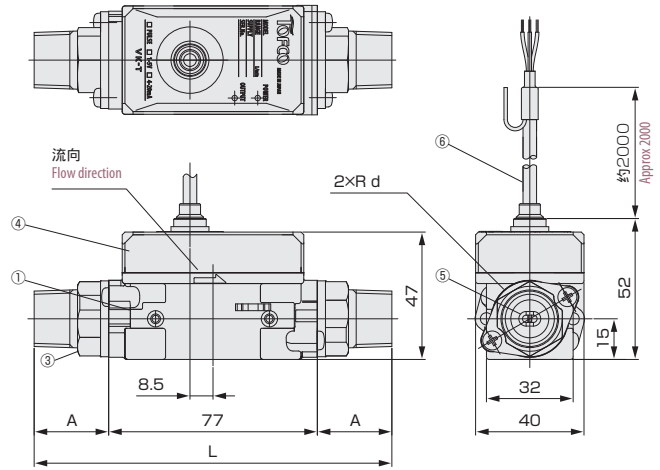
型式 Model type	VK-TR05	VK-TR10	VK-TM25
测定范围 Flow range	0.5~5L/min	1~10L/min 2~20L/min	10~120L/min
测定流体 Fluid type	水相当液体 Water or equivalent		
流量精度 Flow accuracy	±3% of F.S. F.S.±3%		
使用温度 Fluid temperatures	0~70℃		
使用环境温度 Operating temperatures	0~50℃(无结露、结冰 No dewing/freezing)		
压力 Pressure	使用最高压力 1MPa(G) / 耐压 1.5MPa(G) Pressure limit 1MPa(G) / Withstand pressure 1.5MPa(G)		
脉冲输出 Pulse output	NPN集电极开路 Max. DC35V / 100mA NPN Open collector 35VDC max. / 100mA		
电源/消费电流 Power supply / Current consumption	DC12~24V ±10% 6mA max. 12-24VDC ±10% 6mA max.		
线缆 Cable	标准2m AWG26 Standard length: 2m AWG26		
接液部材质 Wetted materials	PPS,FKM,SCS13		

结构图 Structural drawing

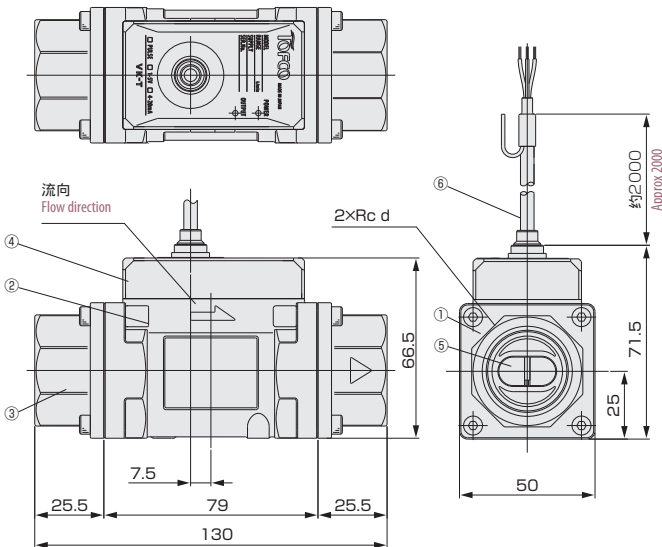
VK-TR (Rc type)



VK-TR (R type)



VK-TM



规格尺寸 Standard dimensions

型式 Model type	d	L	A
VK-TR	Rc1/4", 3/8"	100	11.5
	Rc1/2"	112	17.5
	R3/8"	129	26
	R1/2"	132	27.5

材质 Materials

No.	名称 Names of parts	材质 Material	备注Remarks
1	主体 Body	PPS	含涡流发声轴 Bluff body included
2	外壳 Case	ADC12	
3	转接器 Adapter	SCS13	
4	罩壳 Cover	PPS	
5	传感器把手 Sensor holder	PPS	
6	线缆 Cable	-	AWG26
-	O型圈 O-ring	FKM	